

BM#1  
I-CONTROL POINT  
SET 1P, S-SIDE  
TREE STUMP  
X= 2525981.7259000  
Y= 371519.6808000  
ELEV.= 660.75

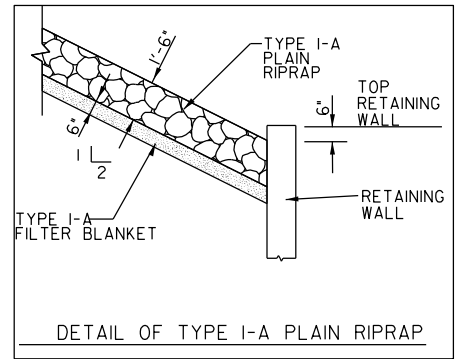
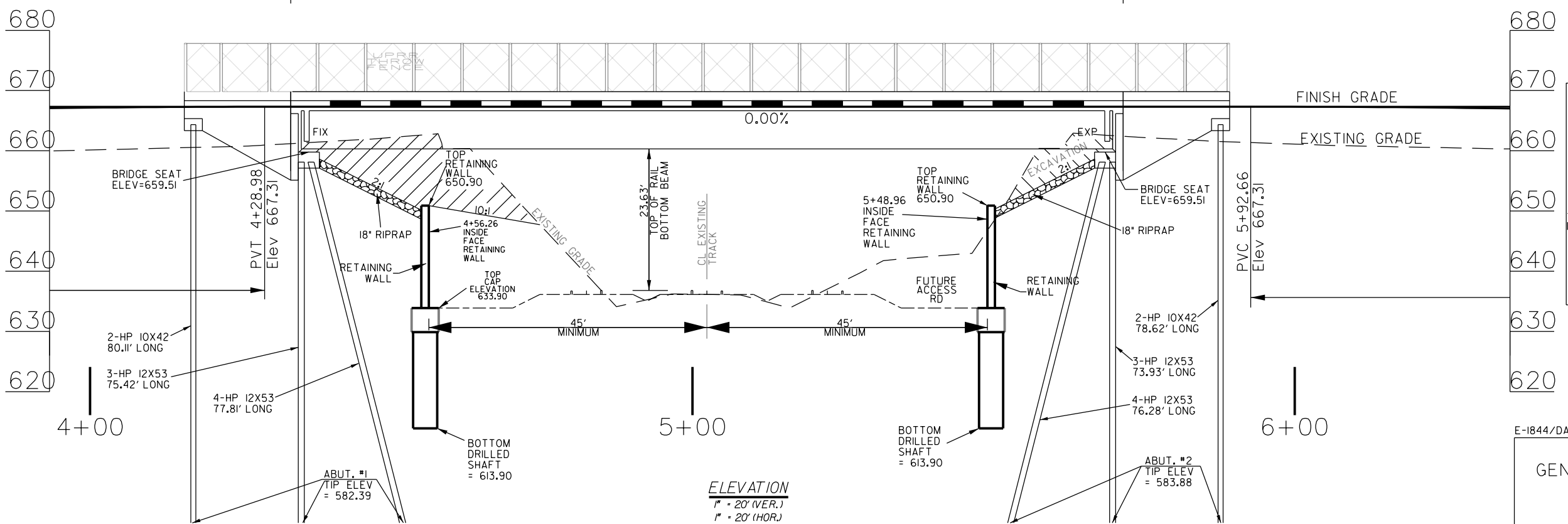
BEGIN BRIDGE  
STA. 4+33.33  
F.G.= 667.31

BRIDGE LENGTH  
138'-2"

END BRIDGE  
STA. 5+71.50  
F.G.= 667.31

BM#3-14+63.00  
NE CORNER  
BRIDGE ABUTMENT  
X= 2526687.6892000  
Y= 371100.8801000  
ELEV.= 661.38

BM#2-18+11.92  
TOP CONC.  
N-SIDE OF  
BRACE POST  
X= 2526994.0083000  
Y= 370921.4694000  
ELEV.= 658.27



ELEVATION  
1" = 20' (VER.)  
1" = 20' (HOR.)

E-1844/DAIRY LANE ATOKA COUNTY  
SOUTHEAST #3 CIRCUIT ENGINEERING DISTRICT  
GENERAL PLAN AND ELEVATION  
135' PC BEAM TYPE J @ STA. 5+02.41  
26'-0" CLR. RDWY W/ TR3-2 RAILING  
STATE JOB NO. 31169(04) SHEET NO. B004